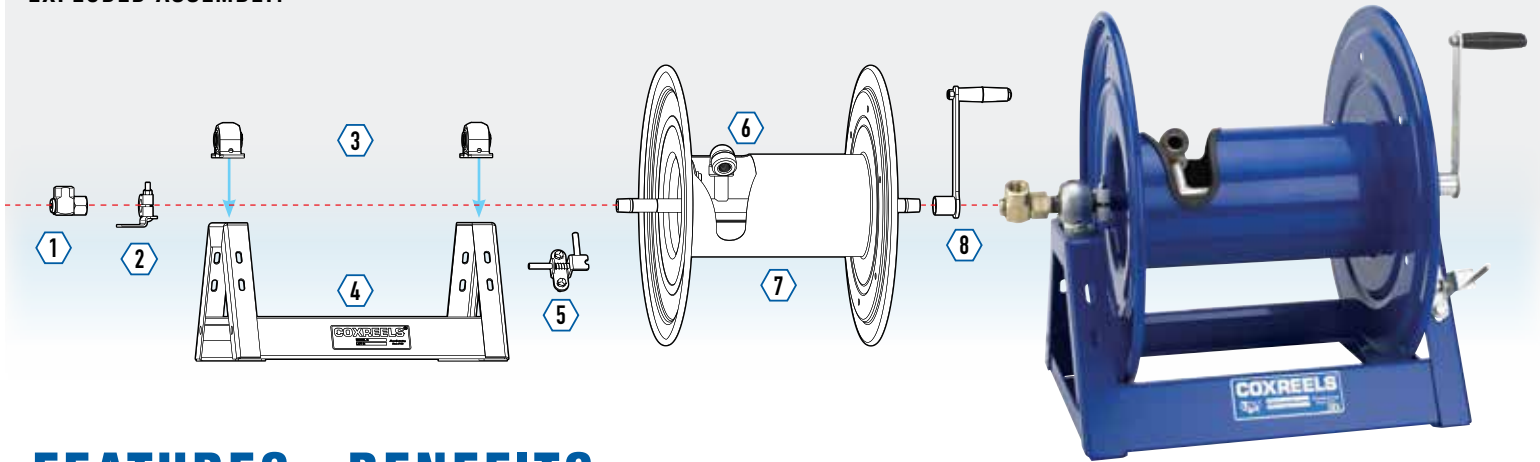




FEATURE FOCUS HAND CRANK HOSE REEL

EXPLODED ASSEMBLY:



FEATURES & BENEFITS

STEEL CONSTRUCTION

High-Quality steel construction provides superior strength and durability for heavy-duty applications in commercial and industrial settings.



POWDER COAT

CPC™ Powder Coat. Long lasting, chip resistant and rust inhibiting CPC™ powder coat finish seals all steel components for maximum corrosion resistance.



1 SWIVEL

Machined from solid brass 90° full-flow NPT swivel for simple seal maintenance and fast and easy hose installation. No need to remove the reel from its mount.

- Electroless nickel plated steel 90° full-flow NPT swivel inlet on 1"
- Inline aluminum straight full flow NPT swivel inlet on 1-1/2"
- Inline electroless nickel plated steel full-flow NPT swivel inlet on 2"



2 TENSION BRAKE

Adjustable tension/friction brake adjust the speed of the draw to your desired preference & prevents your reel from "free wheeling"



3 PILLOW BLOCK BEARINGS

Pillow Block Bearings – Sturdy permanently lubricated and self-aligning pillow block bearings for smooth rotation and trouble-free operation.

- Robust lubricated horizontal surface mount bearings on 1-1/2" and 2" hose I.D models.



4 "A" FRAME

Sturdy one piece, all CNC robotically welded 1/4" steel "A" frame base, not bolted, for superior reel structure.

Mounting Pattern – Mounting pattern located in the steel base for easy reel installation and detachment.



5 LOCKING PIN

Long-handled locking pin secures reel from rotation during storage or transportation



6 OUTLET RISER

Exclusive low profile outlet riser and open drum slot design provides a non-crimping, flat smooth hose wrap.



7 CNC SPUN DISCS

Heavy duty CNC robotically spun and ribbed discs with rolled edges for greater strength, durability, hose protection and operator safety.



8 HAND CRANK

Solid steel direct hand crank with smooth round handle for easy mechanical retraction.

ACCESSORIES & UPGRADES



ROLLER BRACKETS



HOSE GUIDES



BRAWNY UPGRADE



HIGH TEMP DRAG BRAKE



PORTABLE HOSE REEL

www.coxreels.com

800.COX.REEL

P: 480.820.6396

F: 480.820.5132

E: info@coxreels.com



FF-HCHR-01